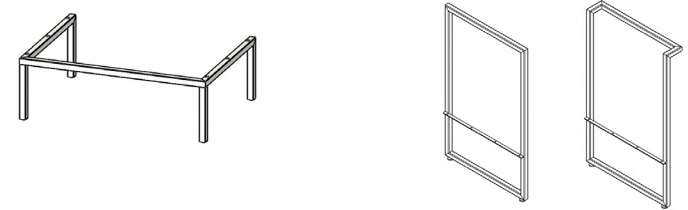




SPECIFICATION SHEET
METAL BASE LEG & METAL TOWEL BAR ADD-ONS

DMMD24 / DMMD30 / DMMD36 / DMMD60 / DMSL2

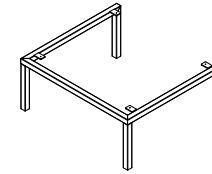


METAL LEG FEATURES

- Designed & Fabricated in Canada
- Power coated matte black finish
- DMMD24 Metal Base Leg add-on to DM Bath 24" Floating Vanity (DMV2402)
- DMMD30 Metal Base Leg add-on to DM Bath 30" Floating Vanity (DMV3002)
- DMMD36 Metal Base Leg add-on to DM Bath 36" Floating Vanity (DMV3602)
- DMMD60 Metal Base Leg add-on to DM Bath 60" Modular Floating Vanity Combination.
- DMSL2 Metal Towel Bar add-on to all DM Bath Floating Vanities & Modular Combinations.

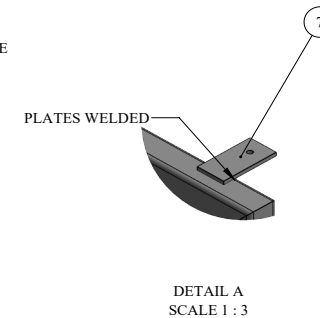
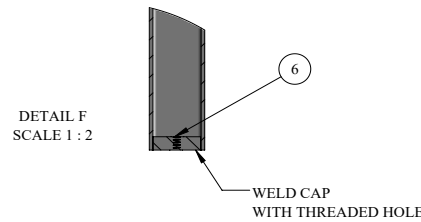
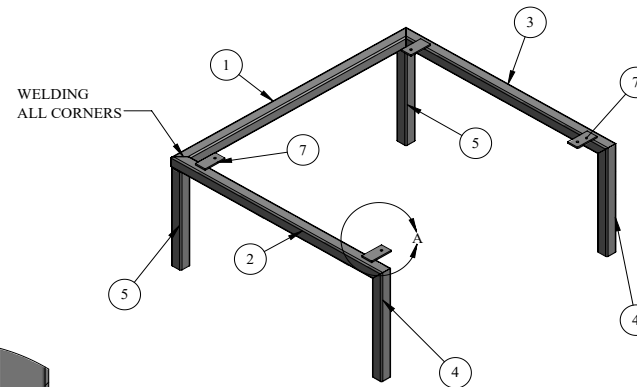
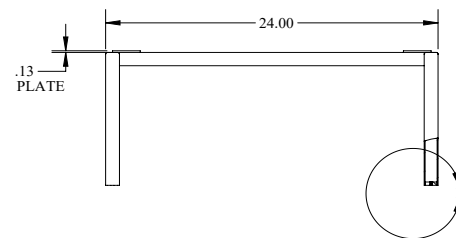
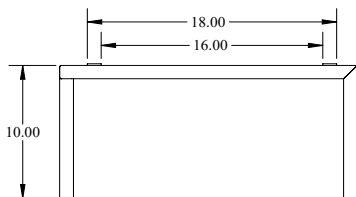
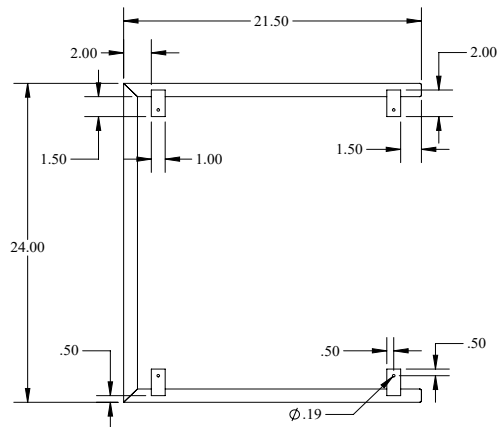
SPECIFICATION VARIANCE

Our products are constructed to maintain close dimensional tolerances that may vary slightly during the manufacturing of materials; normally +/- 1/8", occasionally more. In most cases, this slight variation does not affect installation, appearance or function. We recommend that you measure the actual cabinet before you frame, design or finish the space for your vanity. We can not be held responsible by the end user if this guideline is not followed. We reserve the right to make revisions without prior notice to product specifications.



SPECIFICATION SHEET
24" METAL BASE LEG
DMMD24

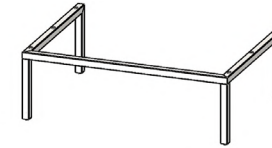
ITEM NO.	PART NUMBER	DESCRIPTION	QTY.
1	DMMD24MB24W	24 INCH TUBE	1
2	DMMD24MB21R	21 1/2" INCH TUBE RIGHT	1
3	DMMD24MB21L	21 1/2" INCH TUBE LEFT	1
4	DMMD24MB10H	10 INCH TUBE	2
5	DMMD24MB10HnoCUT	10 INCH TUBE SHORT	2
6	24LEVEL CAP	LEVELER CAP THREADED	4
7	24Plate	PLATE	4



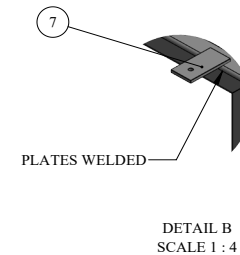
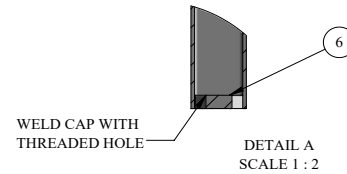
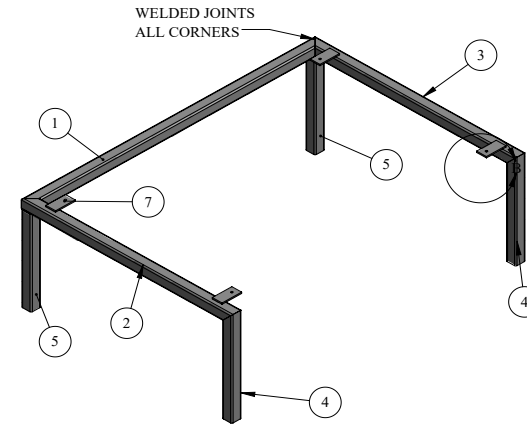
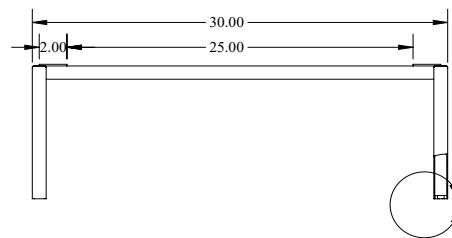
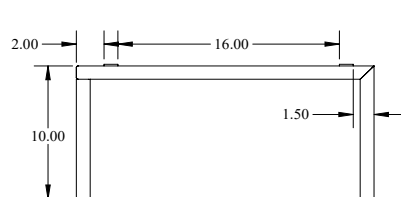
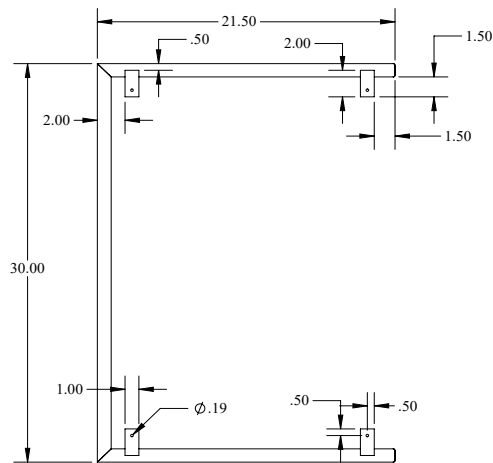
IMPORTANT NOTE Please install product according to installation instructions.



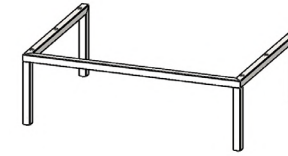
SPECIFICATION SHEET
30" METAL BASE LEG
DMMD30



ITEM NO.	PART NUMBER	DESCRIPTION	QTY.
1	DMMD30MB30W	30 INCH TUBE	1
2	DMMD30MB21R	21 1/2" INCH TUBE RIGHT	1
3	DMMD30MB21L	21 1/2" INCH TUBE LEFT	1
4	DMMD30MB10H	10 INCH TUBE	2
5	DMMD30MB10HnoCUT	10INCH TUBE SHORT	2
6	30LEVEL CAP	LEVELER CAP THREADED	4
7	30Plate	PLATE	4

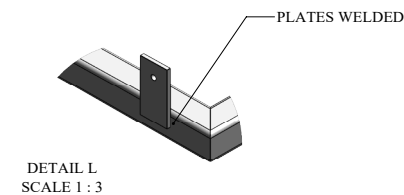
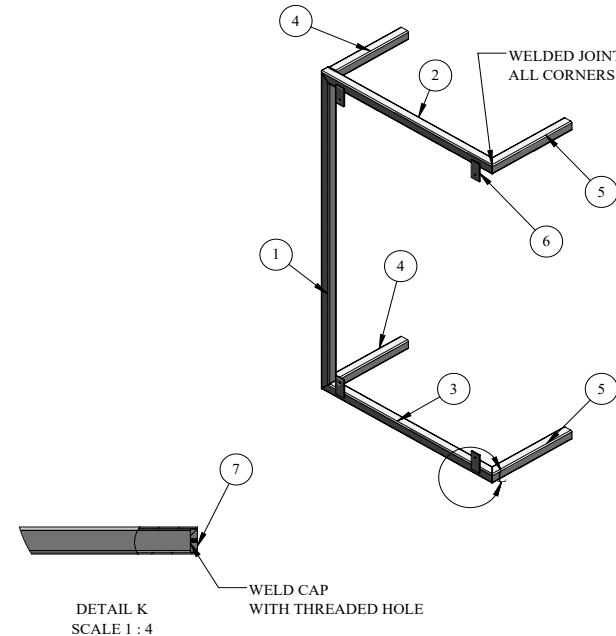
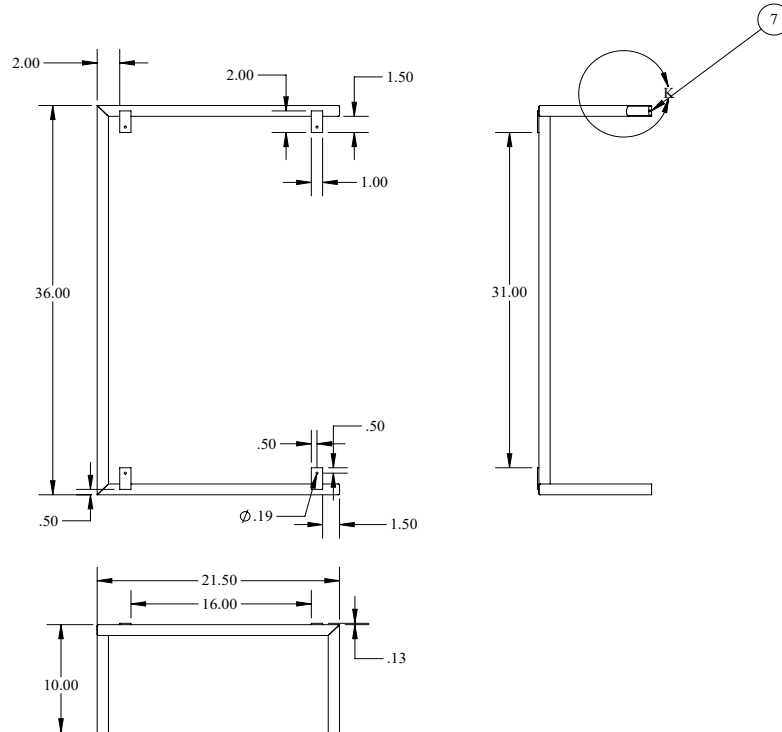


IMPORTANT NOTE Please install product according to installation instructions.



SPECIFICATION SHEET
36" METAL BASE LEG
DMMD36

ITEM NO.	PART NUMBER	DESCRIPTION	QTY.
1	DMMD36MB36W	36 INCH TUBE	1
2	DMMD36MB21L	21 1/2" INCH TUBE LEFT	1
3	DMMD36MB21R	21 1/2" INCH TUBE RIGHT	1
4	DMMD36MB10HnoCUT	10INCH TUBE SHORT	2
5	DMMD36MB10H	10 INCH TUBE	2
6	Plate	PLATE	4
7	LEVEL CAP	LEVELER CAP THREADED	4

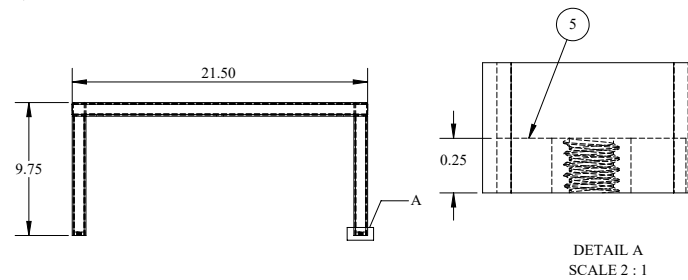
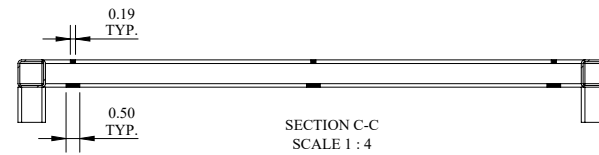
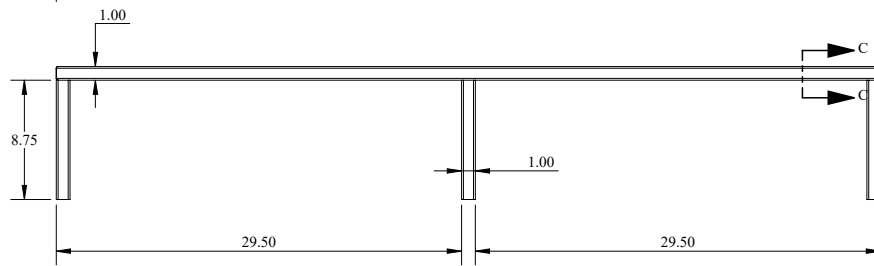
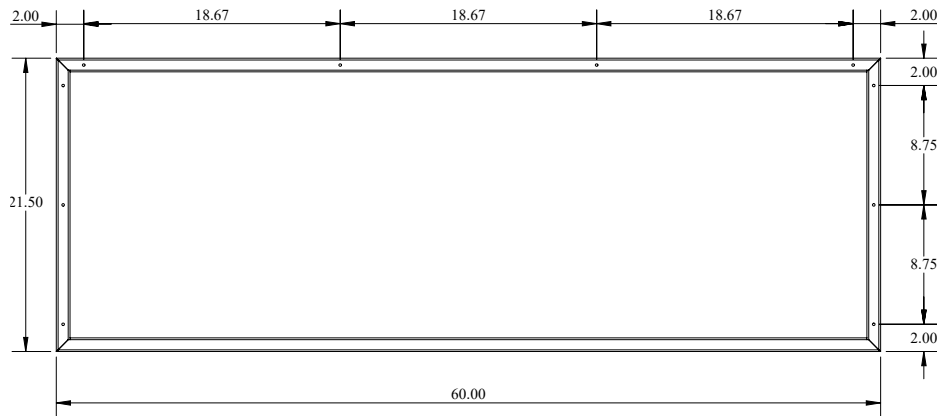
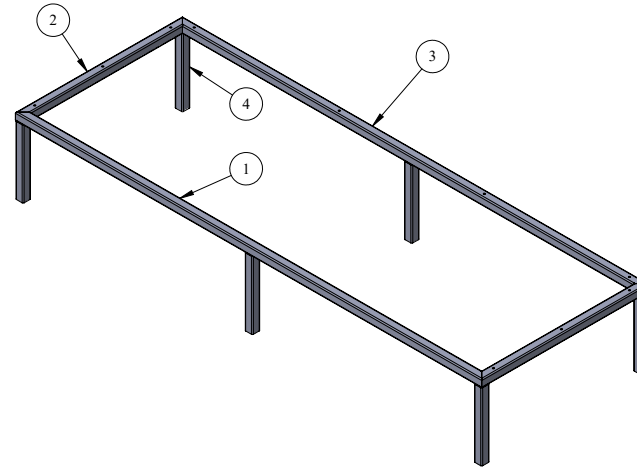


IMPORTANT NOTE Please install product according to installation instructions.



SPECIFICATION SHEET
60" METAL BASE LEG
DMMD60

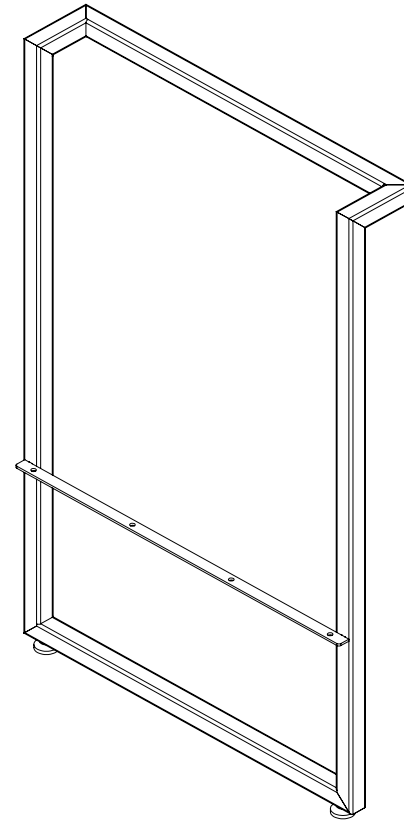
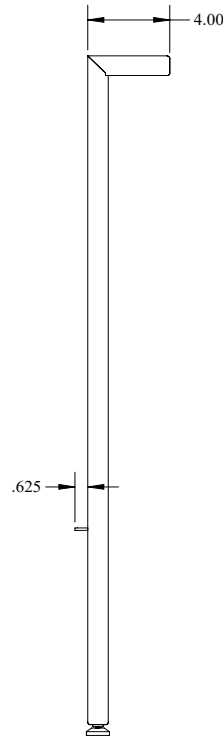
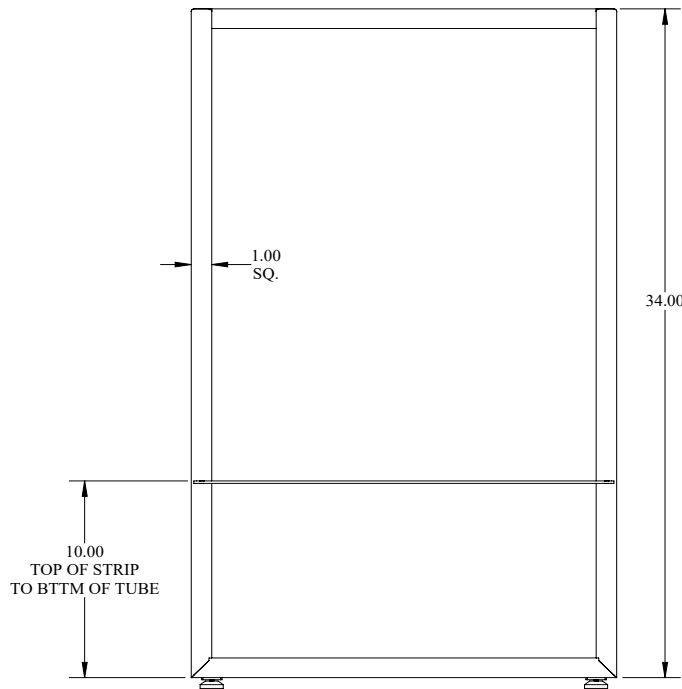
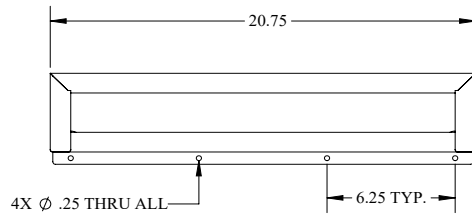
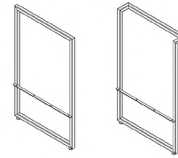
ITEM NO.	PART NUMBER	DESCRIPTION	MATERIAL	QTY.
1	DMMD-CC-FRONT-TUBE	60" TUBE FRONT	1"Sq. Tube 0.065"Thk.Wall MILD STEEL	1
2	DMMD-CC-SIDE-TUBE	21 1/2" TUBE	1"Sq. Tube 0.065"Thk.Wall MILD STEEL	2
3	DMMD-CC-BACK-TUBE	60" TUBE BACK	1"Sq. Tube 0.065"Thk.Wall MILD STEEL	1
4	DMMD-CC-LEG	8 3/4" TUBE	1"Sq. Tube 0.065"Thk.Wall MILD STEEL	6
5	DMMD-CC-LEVEL CAP	LEVER CAP THREADED	1/4" S.S	6



IMPORTANT NOTE Please install product according to installation instructions.



SPECIFICATION SHEET
METAL SIDE LEG WITH TOWEL BAR
DMSL2



IMPORTANT NOTE Please install product according to installation instructions.