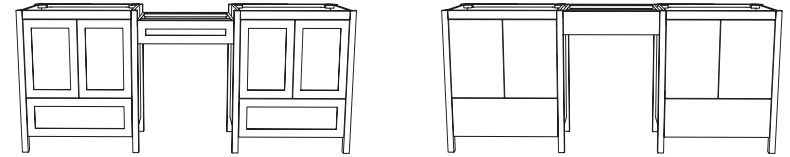




SPECIFICATION SHEET

84" FREESTANDING MODULAR (30" VANITY + 24" MAKE-UP ADD-ON + 30" VANITY)
DMV3001 + DMMT24 + DMV3001



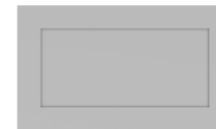
VANITY FEATURES

- Designed & Made in Canada
- Premium Select Canadian Maple & Birch Solid Wood and Plywood
- BLUM® European style six-way soft close 110-degree door hinges.
- RICHELIEU® Full Extension concealed soft-close undermount slides.
- Match finished interior cabinet
- Edge-banded drawer with lacquer maple finish
- Handles sold separately and not pre-drilled for design convenience
- 3 Drawer, 4 Doors
- Make-up Add-On can be adjusted to align with:
 - 1) The top edge of the vanities
 - 2) Below the top edge of the vanitiesPlease note Countertop Design will be different in each case.

DOOR STYLE OPTIONS



SLAB PANEL (SL)



2" SHAKER PANEL (SH)

WOOD FINISH OPTIONS

For full colour options visit www.dmbath.com

DM BATH 2-YEAR LIMITED WARRANTY

For warranty details visit www.dmbath.com

SPECIFICATION VARIANCE

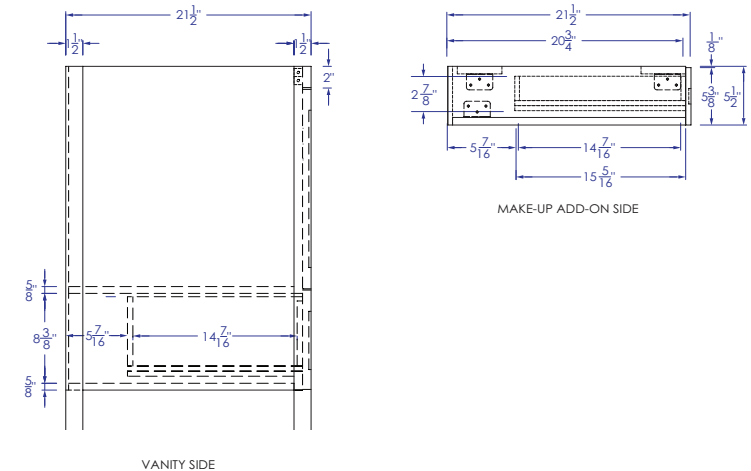
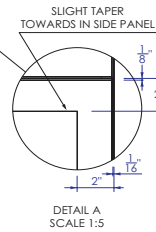
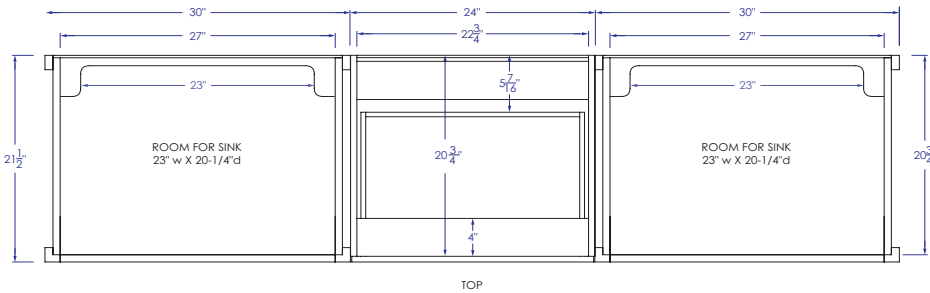
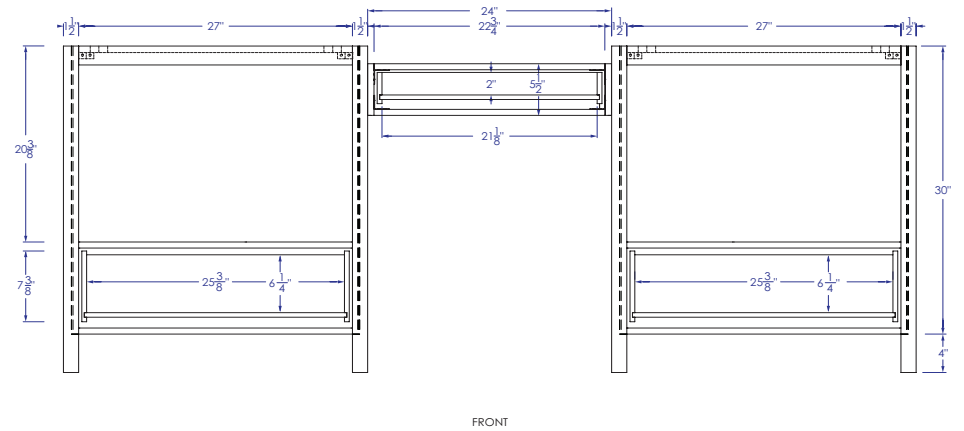
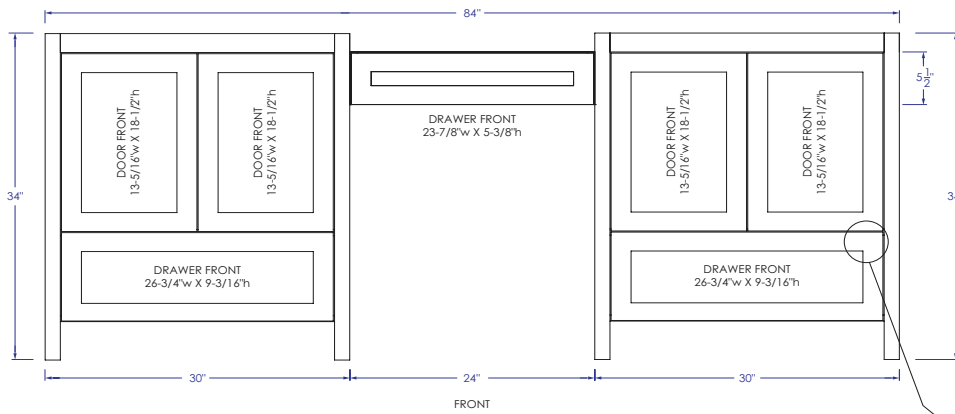
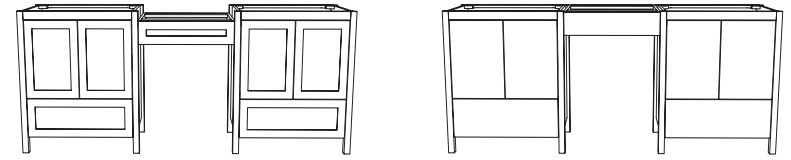
Our products are constructed to maintain close dimensional tolerances that may vary slightly during the manufacturing of materials; normally +/- 1/8", occasionally more. In most cases, this slight variation does not affect installation, appearance or function. We recommend that you measure the actual cabinet before you frame, design or finish the space for your vanity. We can not be held responsible by the end user if this guideline is not followed. We reserve the right to make revisions without prior notice to product specifications.



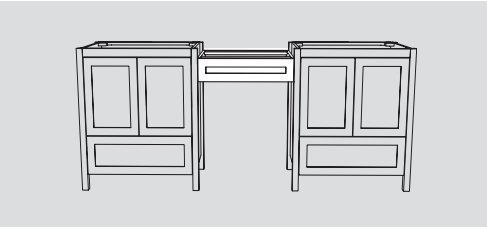
SPECIFICATION SHEET

84" FREESTANDING MODULAR (30" VANITY + 24" MAKE-UP ADD-ON + 30" VANITY)

DMV3001 + DMMT24 + DMV3001



IMPORTANT NOTE Please install product according to installation instructions.



SPECIFICATION SHEET

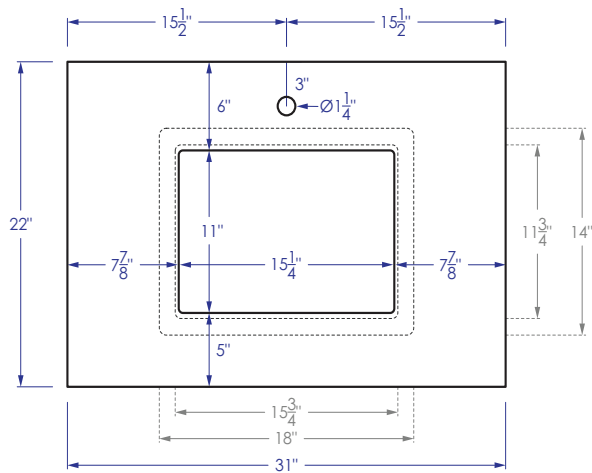
84" FREESTANDING MODULAR (30" VANITY + 24" MAKE-UP ADD-ON + 30" VANITY)

DMV3001 + DMMT24 + DMV3001

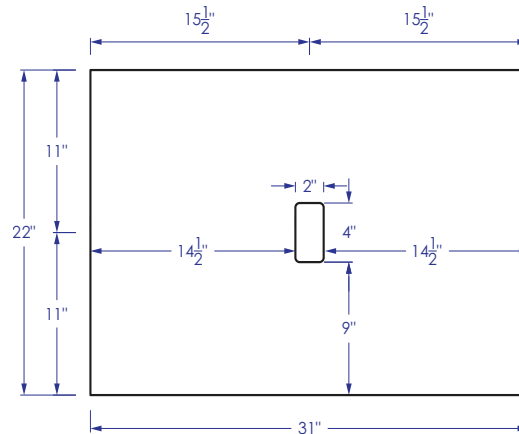
QUICK SPECIFICATION LOOKUP FREQUENTLY BOUGHT TOGETHER

31" VANITY QUARTZ COUNTERTOP OPTIONS DMT31

UNDERMOUNT SINK CUT
INCLUDES SINGLE FAUCET DRILL

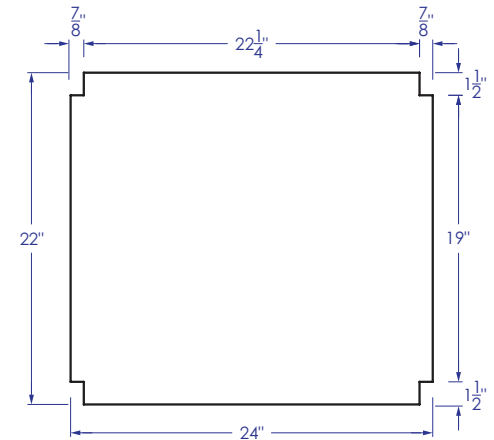


VESSEL SINK CUT
NO DRILL HOLE OR VESSEL SINK INCLUDED

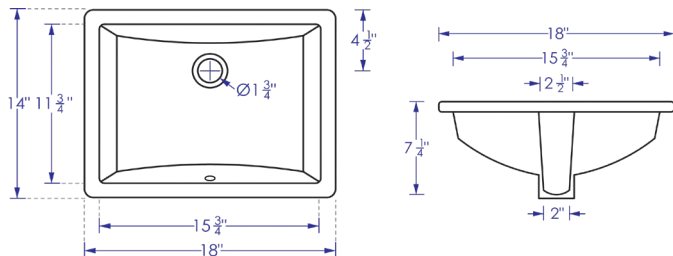


24" MAKE-UP QUARTZ COUNTERTOP DMT-CC

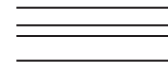
NO SINK CUT & NO DRILL HOLE



18" OXFORD UNDERMOUNT SINK DMS01W



SIDE PROFILE VIEW

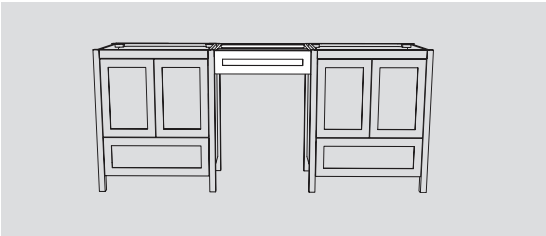


0.75" STANDARD; EASED EDGE PROFILE

1.25" PREMIUM; CHOICE OF EDGE PROFILE

For Premium Edge Profile Options visit www.dmbath.com.

NEED A DIFFERENT COUNTERTOP SIZE OR DESIGN?
Contact your local Sales Representative to learn more about custom fabrication options including custom size, faucet hole drills and/or choose from preferred edge profiles.



SPECIFICATION SHEET

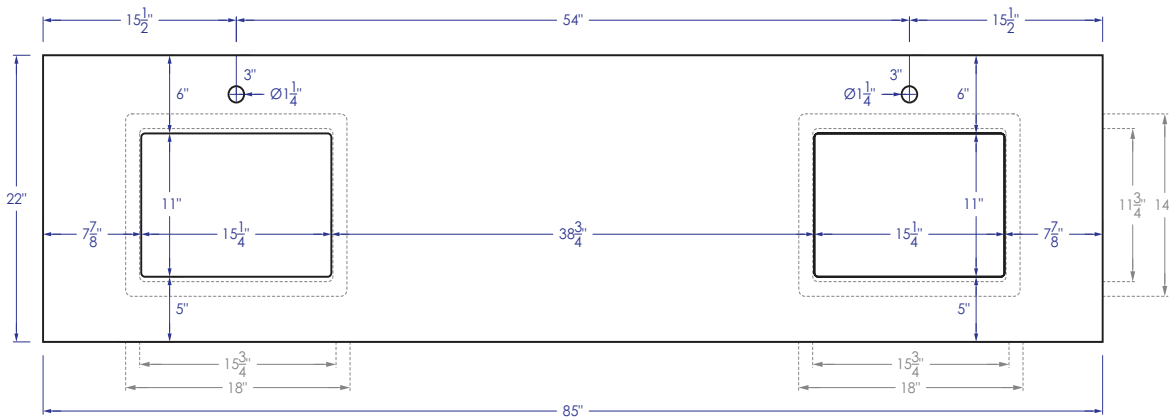
84" FREESTANDING MODULAR (30" VANITY + 24" MAKE-UP ADD-ON + 30" VANITY)

DMV3001 + DMMT24 + DMV3001

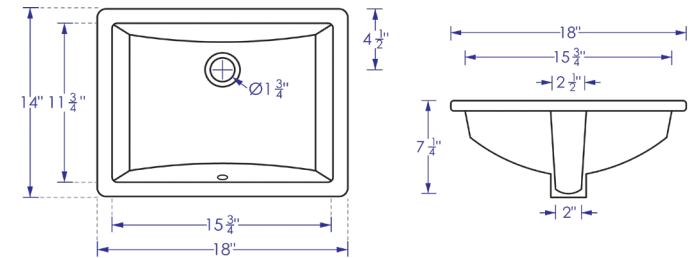
QUICK SPECIFICATION LOOKUP FREQUENTLY BOUGHT TOGETHER

85" QUARTZ COUNTERTOP DMT-CC

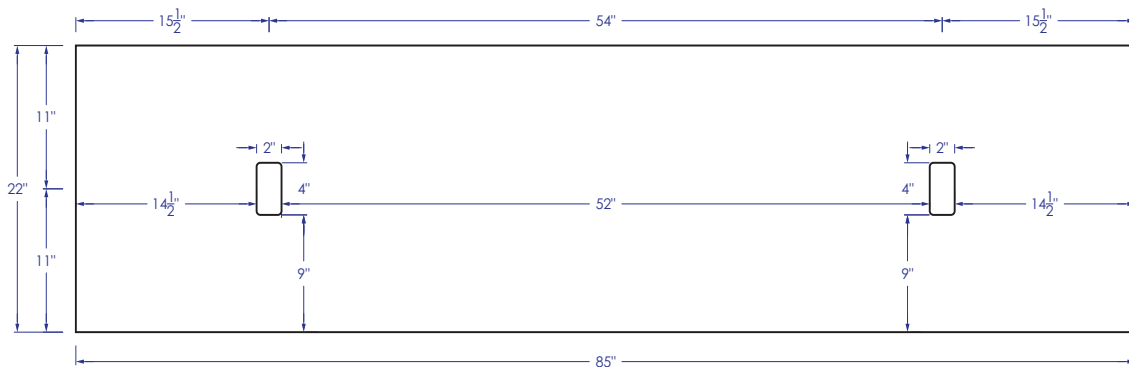
DOUBLE UNDERMOUNT SINK CUT INCLUDES SINGLE FAUCET DRILL



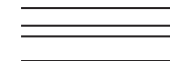
18" OXFORD UNDERMOUNT SINK DMS01W



DOUBLE VESSEL SINK CUT NO DRILL OR FAUCET HOLE INCLUDED



SIDE PROFILE VIEW



0.75" STANDARD; EASED EDGE PROFILE
1.25" PREMIUM; CHOICE OF EDGE PROFILE
 For Premium Edge Profile Options visit
www.dmbath.com

NEED A DIFFERENT COUNTERTOP SIZE OR DESIGN?
 Contact your local Sales Representative to learn more about custom fabrication options including custom size, faucet hole drills and/or choose from preferred edge profiles.