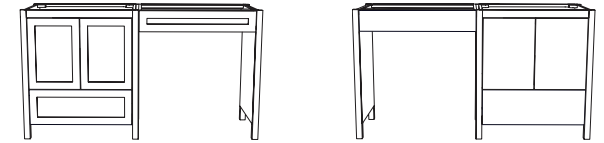




## 61.5" FREESTANDING MODULAR (DECO LEG + 30" MAKE-UP ADD-ON + 30" VANITY) DMSP1 + DMMT30 + DMV3001 LEFT & RIGHT



### VANITY FEATURES

- Designed & Made in Canada
- Premium Select Canadian Maple & Birch Solid Wood and Plywood
- BLUM® European style six-way soft close 110-degree door hinges.
- RICHELIEU® Full Extension concealed soft-close undermount slides.
- Match finished interior cabinet
- Edge-banded drawer with lacquer maple finish
- Handles sold separately and not pre-drilled for design convenience
- 2 Drawer, 2 Door

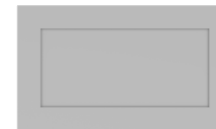
### DM BATH 2-YEAR LIMITED WARRANTY

For warranty details visit [www.dmbath.com](http://www.dmbath.com)

### DOOR STYLE OPTIONS



SLAB PANEL (SL)



2" SHAKER PANEL (SH)

### WOOD FINISH OPTIONS

For full colour options visit [www.dmbath.com](http://www.dmbath.com)

### SPECIFICATION VARIANCE

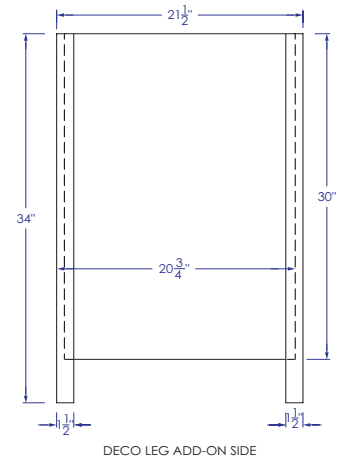
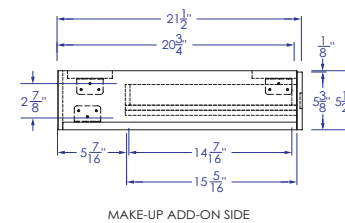
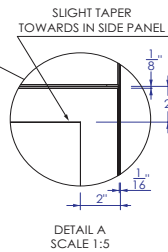
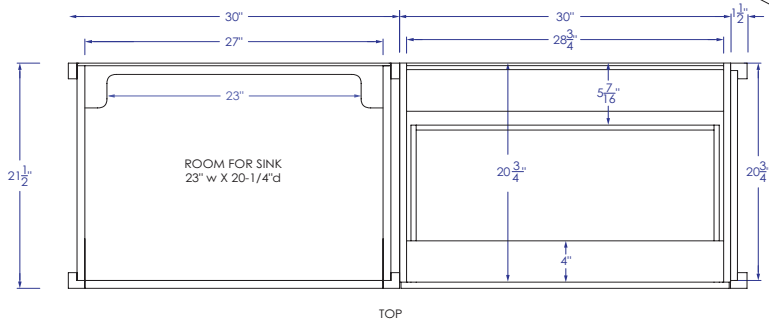
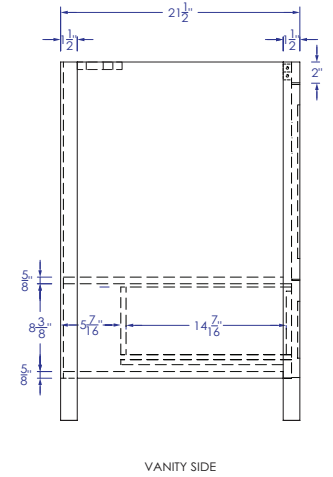
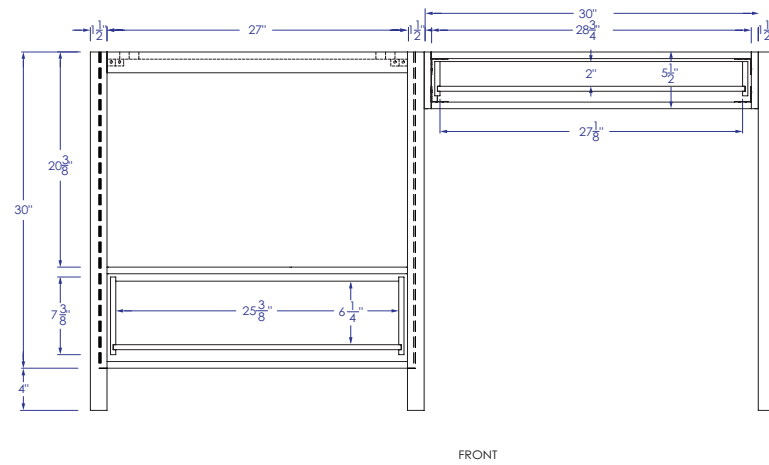
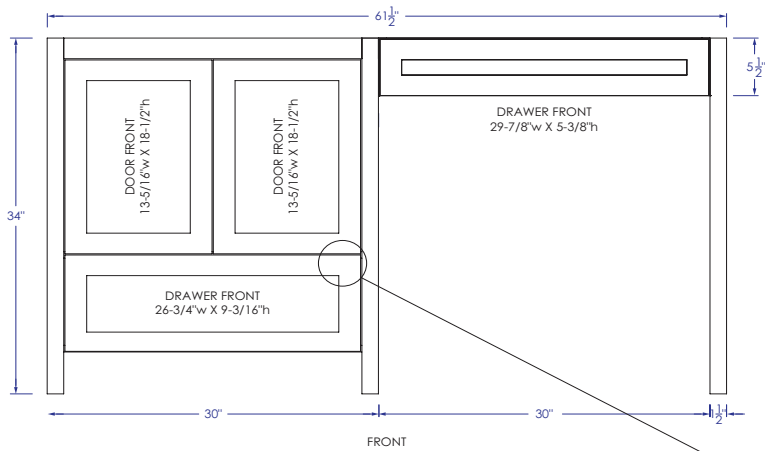
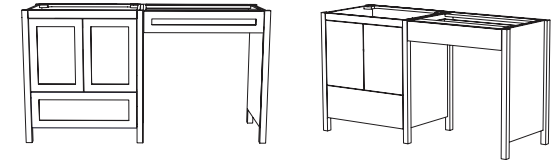
Our products are constructed to maintain close dimensional tolerances that may vary slightly during the manufacturing of materials; normally +/- 1/8", occasionally more. In most cases, this slight variation does not affect installation, appearance or function. We recommend that you measure the actual cabinet before you frame, design or finish the space for your vanity. We can not be held responsible by the end user if this guideline is not followed. We reserve the right to make revisions without prior notice to product specifications.



SPECIFICATION SHEET

## 61.5" FREESTANDING MODULAR (DECO LEG + 30" MAKE-UP ADD-ON + 30" VANITY)

### DMSP1 + DMMT30 + DMV3001 LEFT



**IMPORTANT NOTE** Please install product according to installation instructions.

SPECIFICATION SHEET

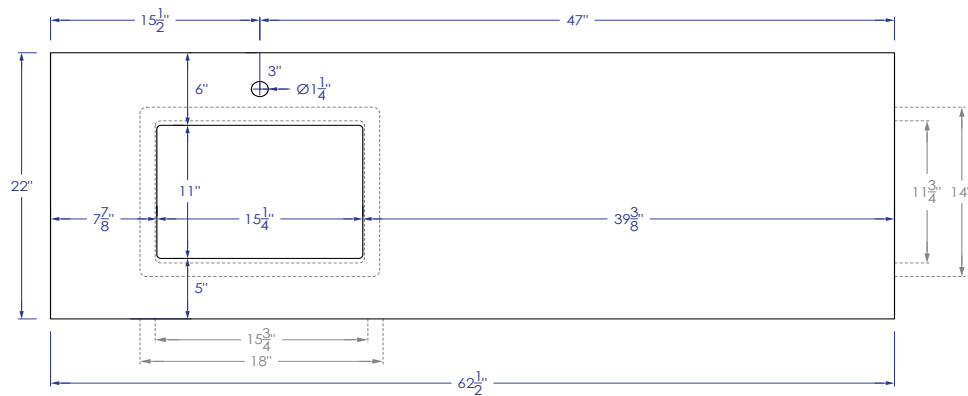
# 61.5" FREESTANDING MODULAR (DECO LEG + 30" MAKE-UP ADD-ON + 30" VANITY)

## DMSP1 + DMMT30 + DMV3001 LEFT

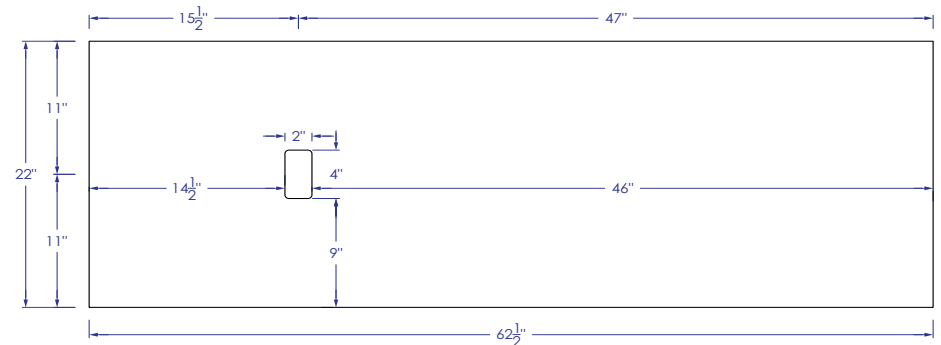
**QUICK SPECIFICATION LOOKUP** FREQUENTLY BOUGHT TOGETHER

### 62.5" QUARTZ COUNTERTOP DMT-CC

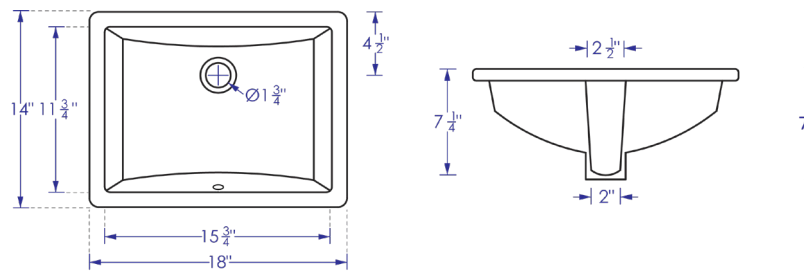
**UNDERMOUNT SINK CUT**  
INCLUDES SINGLE FAUCET DRILL





**VESSEL SINK CUT**  
NO DRILL HOLE OR VESSEL SINK INCLUDED



### 18" OXFORD UNDERMOUNT SINK DMS01W



### SIDE PROFILE VIEW

-  **0.75" STANDARD; EASED EDGE PROFILE**
  -  **1.25" PREMIUM; CHOICE OF EDGE PROFILE**
- For Premium Edge Profile Options visit [dmbath.com](http://dmbath.com)

### NEED A DIFFERENT COUNTERTOP SIZE OR DESIGN?

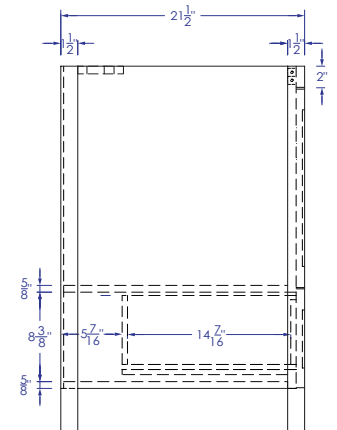
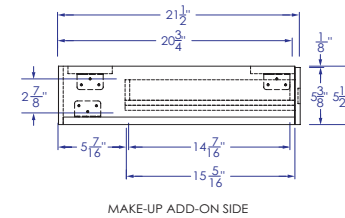
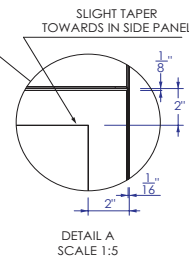
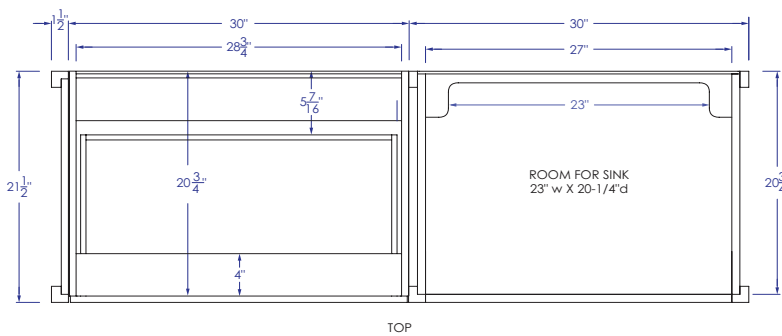
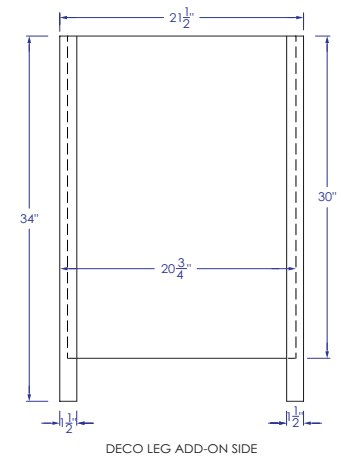
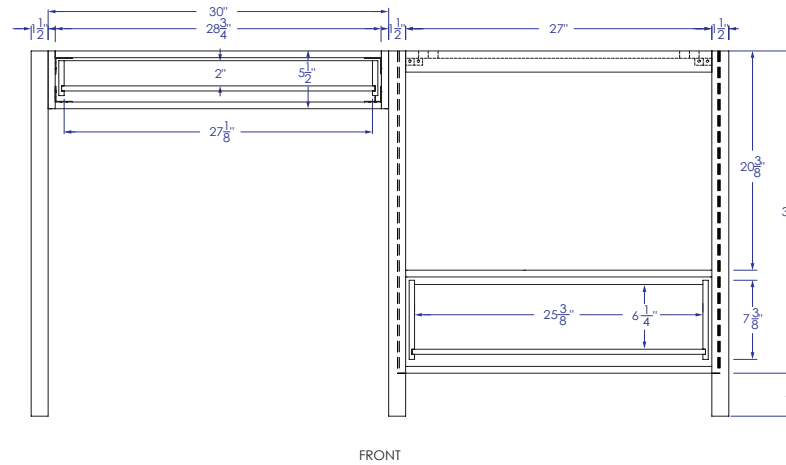
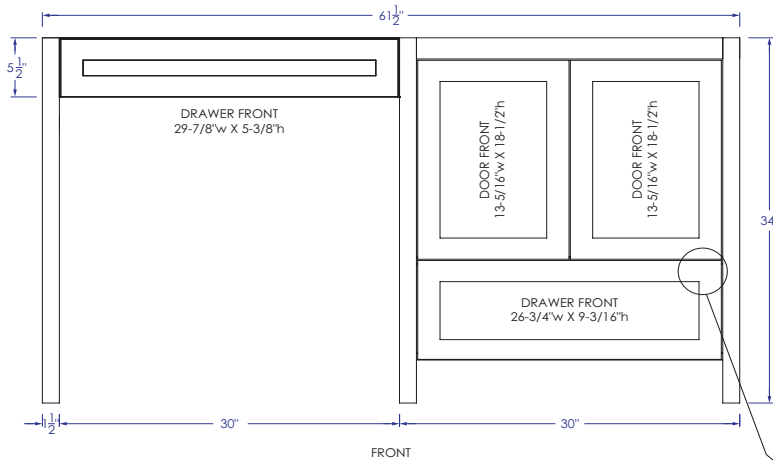
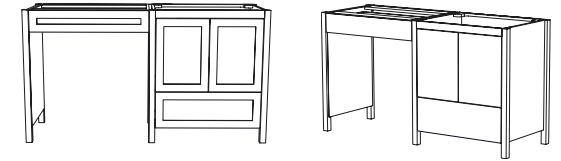
Contact your local Sales Representative to learn more about custom fabrication options including custom size, faucet hole drills and/or choose from preferred edge profiles.



SPECIFICATION SHEET

## 61.5" FREESTANDING MODULAR (DECO LEG + 30" MAKE-UP ADD-ON + 30" VANITY)

### DMSP1 + DMMT30 + DMV3001 RIGHT



**IMPORTANT NOTE** Please install product according to installation instructions.

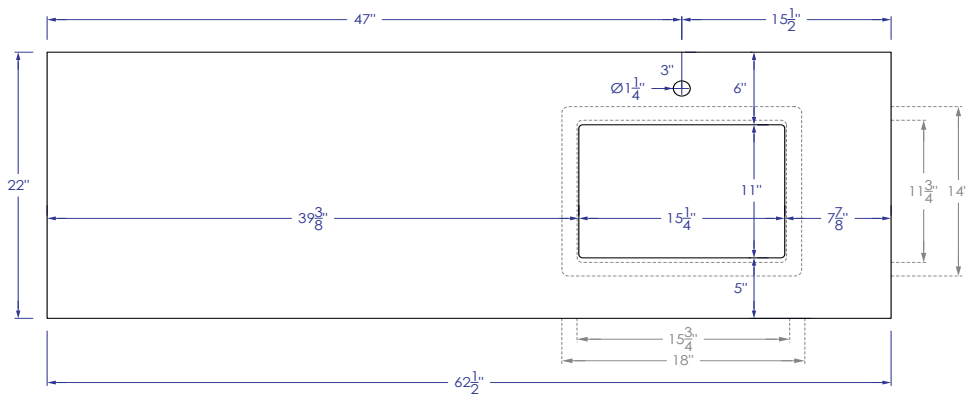
SPECIFICATION SHEET

# 61.5" FREESTANDING MODULAR (DECO LEG + 30" MAKE-UP ADD-ON + 30" VANITY) DMSP1 + DMMT30 + DMV3001 RIGHT

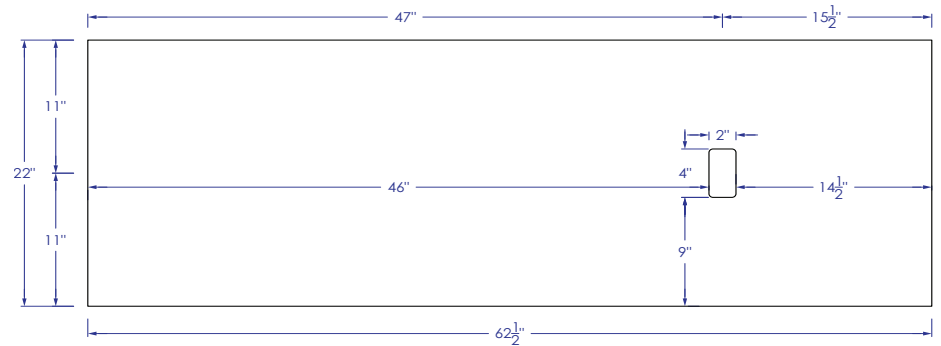
**QUICK SPECIFICATION LOOKUP** FREQUENTLY BOUGHT TOGETHER

## 62.5" QUARTZ COUNTERTOP DMT-CC

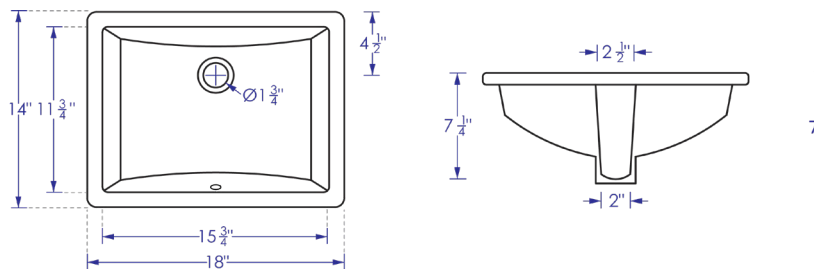
**UNDERMOUNT SINK CUT**  
INCLUDES SINGLE FAUCET DRILL





**VESSEL SINK CUT**  
NO DRILL HOLE OR VESSEL SINK INCLUDED



## 18" OXFORD UNDERMOUNT SINK DMS01W



## SIDE PROFILE VIEW

-  **0.75" STANDARD; EASED EDGE PROFILE**
  -  **1.25" PREMIUM; CHOICE OF EDGE PROFILE**
- For Premium Edge Profile Options visit [dmbath.com](http://dmbath.com)

### NEED A DIFFERENT COUNTERTOP SIZE OR DESIGN?

Contact your local Sales Representative to learn more about custom fabrication options including custom size, faucet hole drills and/or choose from preferred edge profiles.