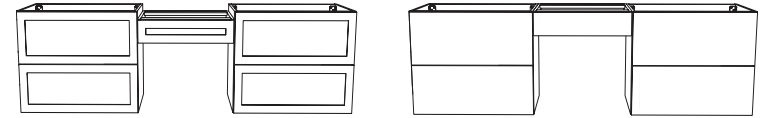




SPECIFICATION SHEET  
**84" FLOATING MODULAR (30" VANITY + 24" MAKE-UP ADD-ON + 30" VANITY)**  
**DMV3002 + DMMT24 + DMV3002**



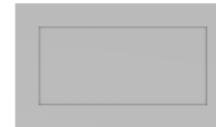
#### VANITY FEATURES

- Designed & Made in Canada
- Premium Select Canadian Maple & Birch Solid Wood and Plywood
- BLUM® European style six-way soft close 110-degree door hinges.
- RICHELIEU® Full Extension concealed soft-close undermount slides.
- Match finished interior cabinet
- Edge-banded drawer with lacquer maple finish
- Handles sold separately and not pre-drilled for design convenience
- 5 Drawer
- Make-up Add-On can be adjusted to align with:
  - 1) The top edge of the vanities
  - 2) Below the top edge of the vanitiesPlease note Countertop Design will be different in each case.

#### DOOR STYLE OPTIONS



SLAB PANEL (SL)



2" SHAKER PANEL (SH)

#### WOOD FINISH OPTIONS

For full colour options visit [www.dmbath.com](http://www.dmbath.com)

#### DM BATH 2-YEAR LIMITED WARRANTY

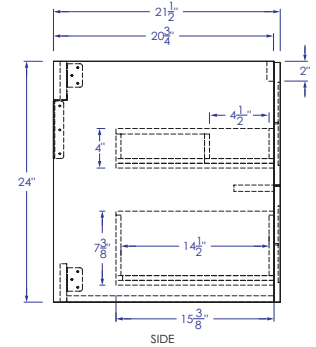
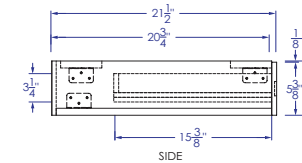
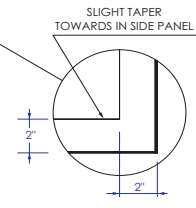
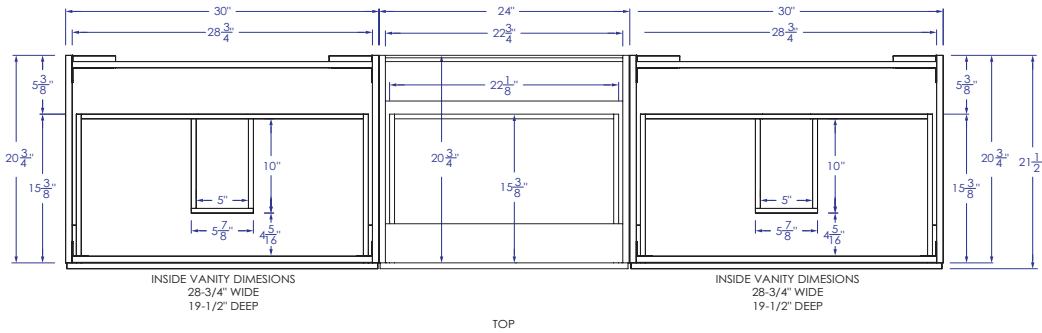
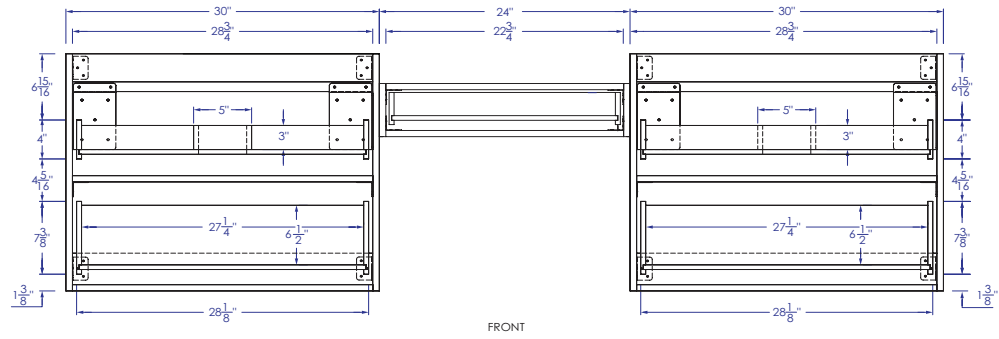
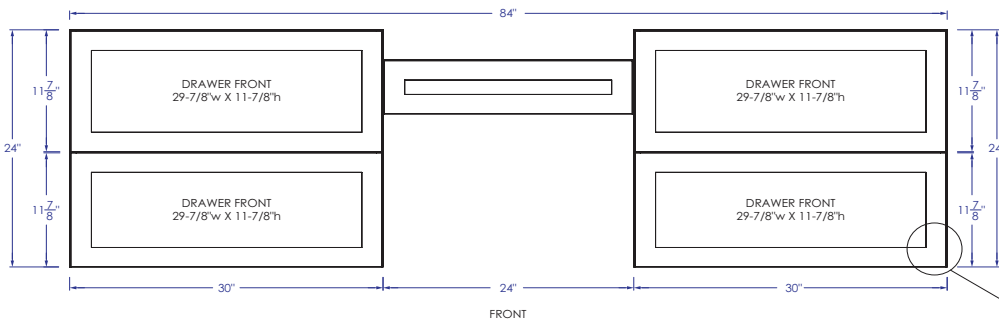
For warranty details visit [www.dmbath.com](http://www.dmbath.com)

#### SPECIFICATION VARIANCE

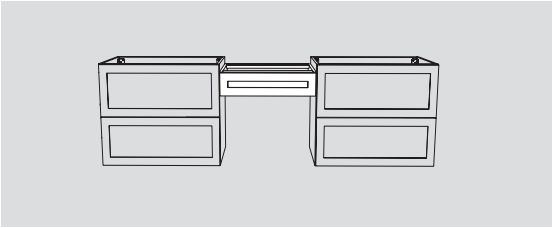
Our products are constructed to maintain close dimensional tolerances that may vary slightly during the manufacturing of materials; normally +/- 1/8", occasionally more. In most cases, this slight variation does not affect installation, appearance or function. We recommend that you measure the actual cabinet before you frame, design or finish the space for your vanity. We can not be held responsible by the end user if this guideline is not followed. We reserve the right to make revisions without prior notice to product specifications.



SPECIFICATION SHEET  
**84" FLOATING MODULAR (30" VANITY + 24" MAKE-UP ADD-ON + 30" VANITY)**  
**DMV3002 + DMMT24 + DMV3002**



**IMPORTANT NOTE** Please install product according to installation instructions.



SPECIFICATION SHEET

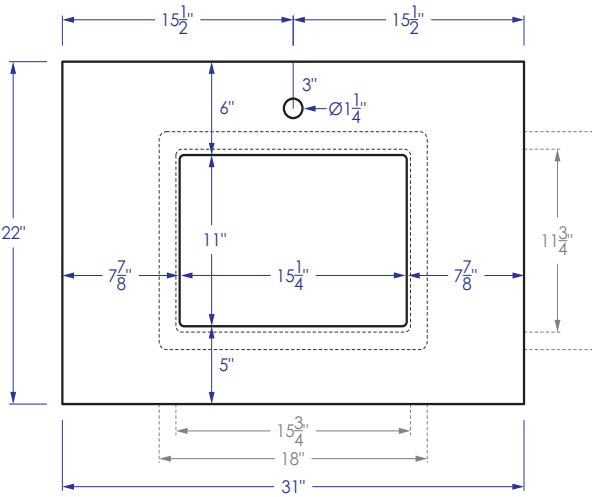
# 84" FLOATING MODULAR (30" VANITY + 24" MAKE-UP ADD-ON + 30" VANITY)

## DMV3002 + DMMT24 + DMV3002

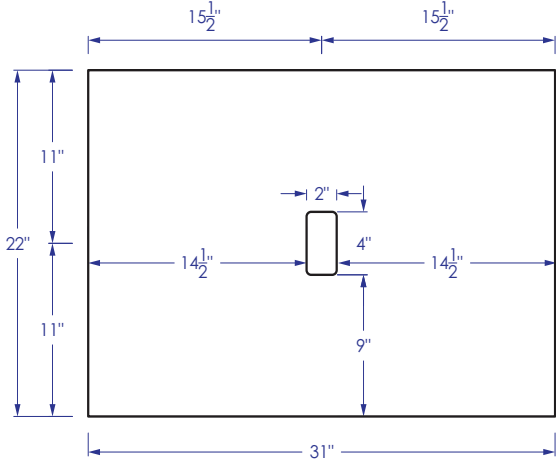
**QUICK SPECIFICATION LOOKUP** FREQUENTLY BOUGHT TOGETHER

**31" VANITY QUARTZ COUNTERTOP OPTIONS DMT31**

**UNDERMOUNT SINK CUT**  
INCLUDES SINGLE FAUCET DRILL

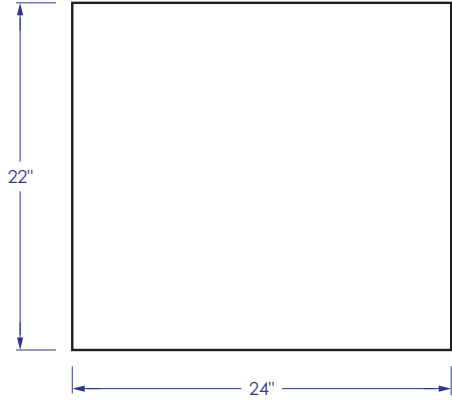


**VESSEL SINK CUT**  
NO DRILL HOLE OR VESSEL SINK INCLUDED

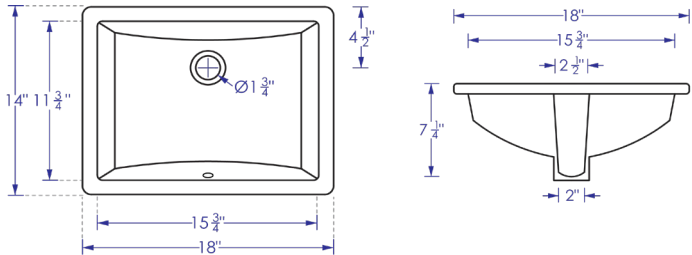


**24" MAKE-UP QUARTZ COUNTERTOP DMT-CC**

**NO SINK CUT AND NO DRILL HOLE**



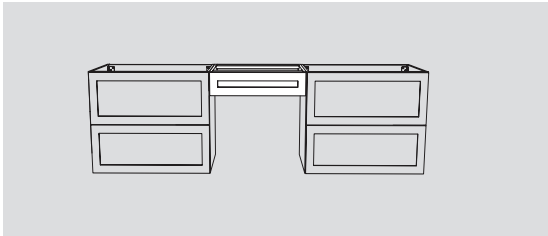
**18" OXFORD UNDERMOUNT SINK DMS01W**



**SIDE PROFILE VIEW**

- 0.75" STANDARD; EASED EDGE PROFILE**
  - 1.25" PREMIUM; CHOICE OF EDGE PROFILE**
- For Premium Edge Profile Options visit [dmbath.com](http://dmbath.com)

**NEED A DIFFERENT COUNTERTOP SIZE OR DESIGN?**  
Contact your local Sales Representative to learn more about custom fabrication options including custom size, faucet hole drills and/or choose from preferred edge profiles.



SPECIFICATION SHEET

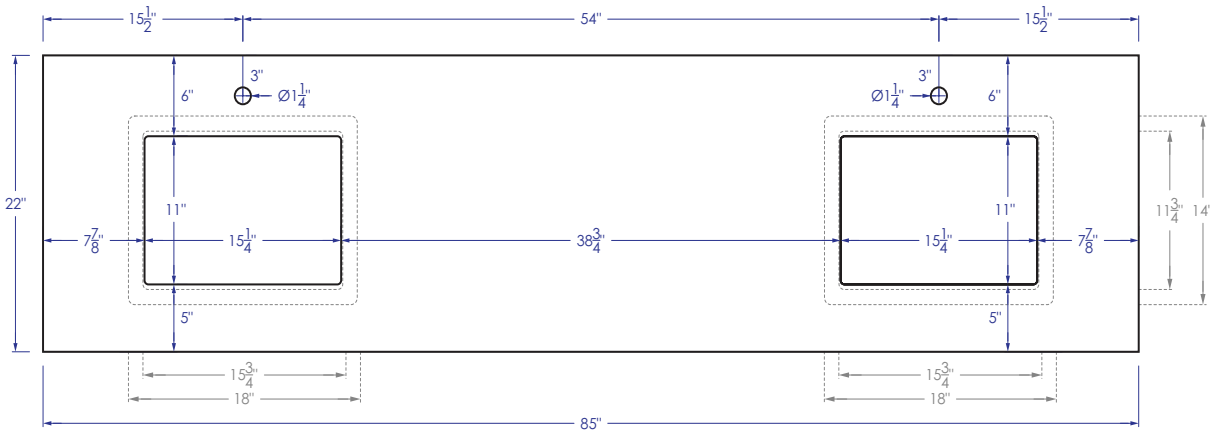
## 84" FLOATING MODULAR (30" VANITY + 24" MAKE-UP ADD-ON + 30" VANITY)

# DMV3002 + DMMT24 + DMV3002

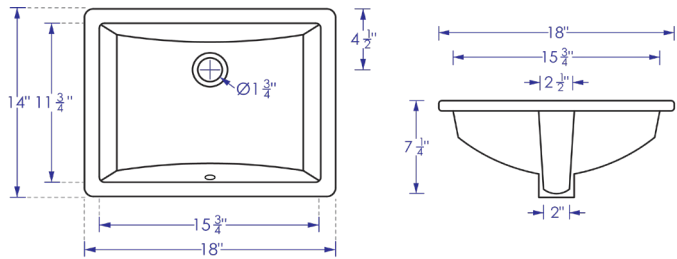
**QUICK SPECIFICATION LOOKUP** FREQUENTLY BOUGHT TOGETHER

**85" QUARTZ COUNTERTOP DMT-CC**

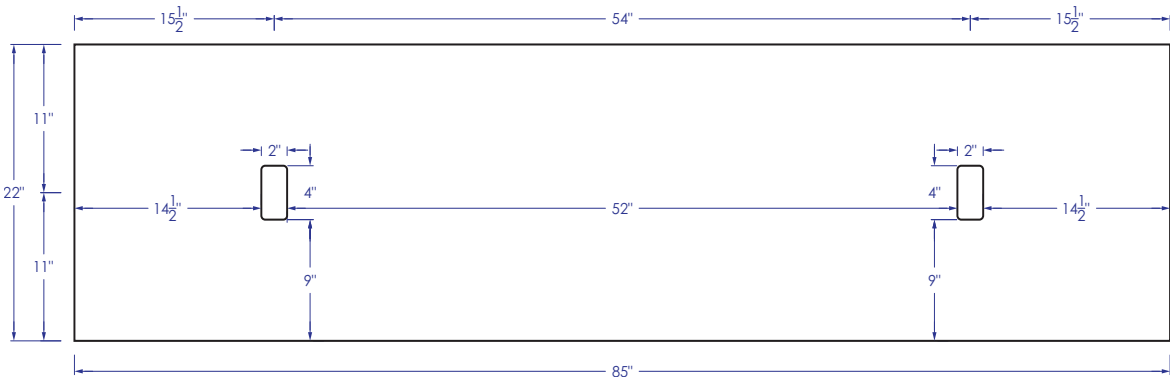
**DOUBLE UNDERMOUNT SINK CUT INCLUDES SINGLE FAUCET DRILL**



**18" OXFORD UNDERMOUNT SINK DMS01W**



**DOUBLE VESSEL SINK CUT NO DRILL OR FAUCET HOLE INCLUDED**



**SIDE PROFILE VIEW**

- 0.75" STANDARD; EASED EDGE PROFILE**
  - 1.25" PREMIUM; CHOICE OF EDGE PROFILE**
- For Premium Edge Profile Options visit [dmbath.com](http://dmbath.com)

**NEED A DIFFERENT COUNTERTOP SIZE OR DESIGN?**  
 Contact your local Sales Representative to learn more about custom fabrication options including custom size, faucet hole drills and/or choose from preferred edge profiles.