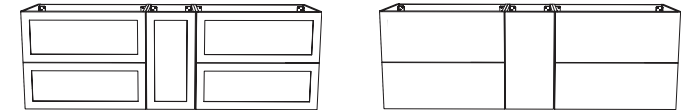




SPECIFICATION SHEET

72" FLOATING MODULAR (30" VANITY + 12" CABINET ADD-ON + 30" VANITY)
DMV3002 + DMSC12 + DMV3002



VANITY FEATURES

- Designed & Made in Canada
- Premium Select Canadian Maple & Birch Solid Wood and Plywood
- BLUM® European style six-way soft close 110-degree door hinges.
- RICHELIEU® Full Extension concealed soft-close undermount slides.
- Match finished interior cabinet
- Edge-banded drawer with lacquer maple finish
- Handles sold separately and not pre-drilled for design convenience
- 4 Drawer, 1 Door

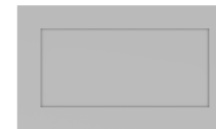
DM BATH 2-YEAR LIMITED WARRANTY

For warranty details visit www.dmbath.com

DOOR STYLE OPTIONS



SLAB PANEL (SL)



2" SHAKER PANEL (SH)

WOOD FINISH OPTIONS

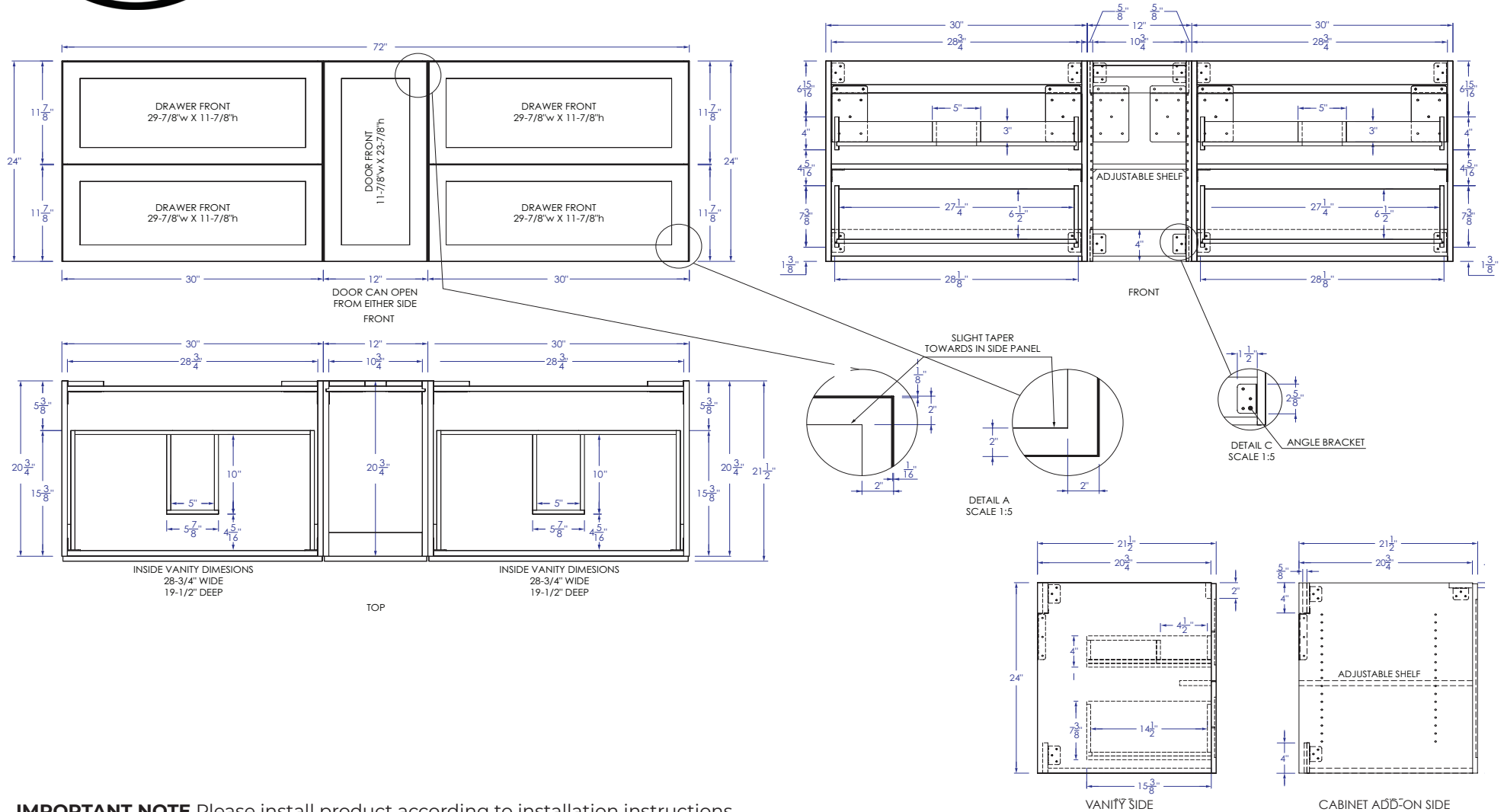
For full colour options visit www.dmbath.com

SPECIFICATION VARIANCE

Our products are constructed to maintain close dimensional tolerances that may vary slightly during the manufacturing of materials; normally +/- 1/8", occasionally more. In most cases, this slight variation does not affect installation, appearance or function. We recommend that you measure the actual cabinet before you frame, design or finish the space for your vanity. We can not be held responsible by the end user if this guideline is not followed. We reserve the right to make revisions without prior notice to product specifications.



SPECIFICATION SHEET
72" FLOATING MODULAR (30" VANITY + 12" CABINET ADD-ON + 30" VANITY)
DMV3002 + DMSC12 + DMV3002



IMPORTANT NOTE Please install product according to installation instructions.

SPECIFICATION SHEET

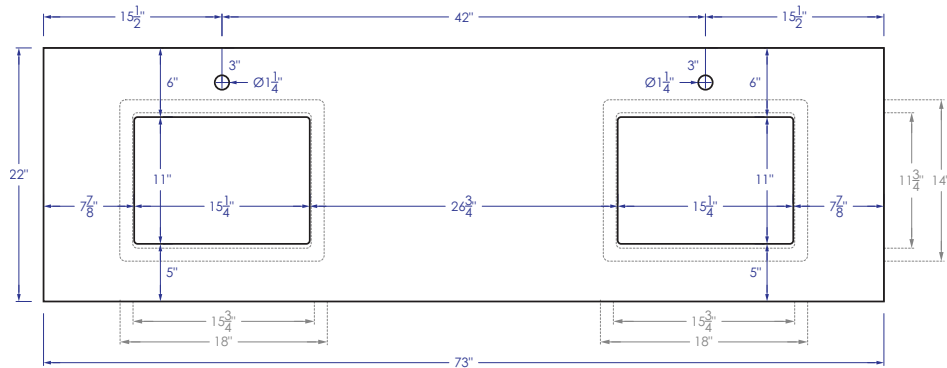
72" FLOATING MODULAR (30" VANITY + 12" CABINET ADD-ON + 30" VANITY)

DMV3002 + DMSC12 + DMV3002

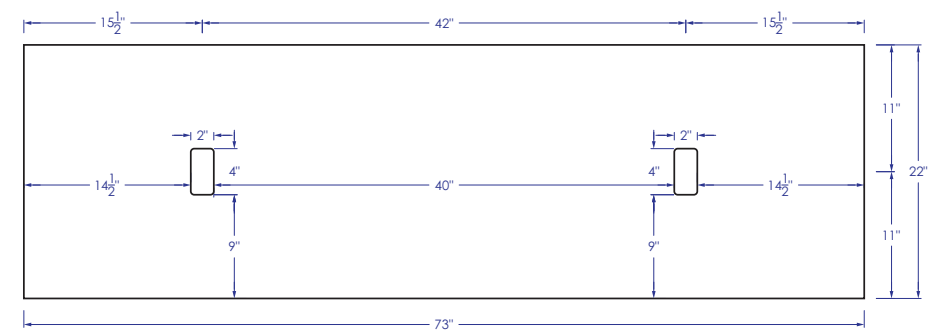
QUICK SPECIFICATION LOOKUP FREQUENTLY BOUGHT TOGETHER

73" QUARTZ COUNTERTOP DMT-CC

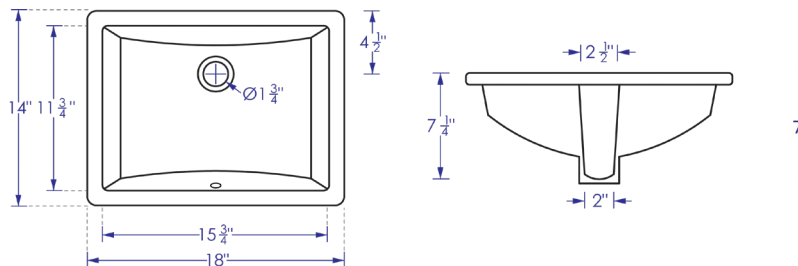
DOUBLE UNDERMOUNT SINK CUT
INCLUDES SINGLE FAUCET DRILL



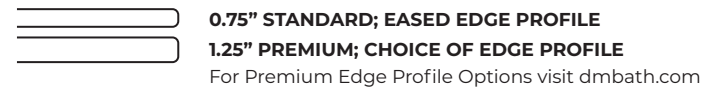
DOUBLE VESSEL SINK CUT
NO DRILL HOLE OR VESSEL SINK INCLUDED



18" OXFORD UNDERMOUNT SINK DMS01W



SIDE PROFILE VIEW



NEED A DIFFERENT COUNTERTOP SIZE OR DESIGN?

Contact your local Sales Representative to learn more about custom fabrication options including custom size, faucet hole drills and/or choose from preferred edge profiles.