



SPECIFICATION SHEET

48" FREESTANDING VANITY CABINET

DMV4801



VANITY FEATURES

- Designed & Made in Canada
- Premium Select Canadian Maple & Birch Solid Wood and Plywood
- BLUM® European style six-way soft close 110-degree door hinges.
- RICHELIEU® Full Extension concealed soft-close undermount slides.
- Match finished interior cabinet
- Edge-banded drawer with lacquer maple finish
- Handles sold separately and not pre-drilled for design convenience
- 2 Door, 6 Drawer

DM BATH 2-YEAR LIMITED WARRANTY

For warranty details visit www.dmbath.com

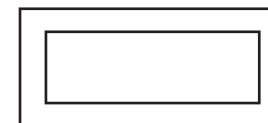
RELATED PRODUCTS Sold Separately

- DMT49 49" Standard Quartz Countertop
- DMT49P 49" Premium Quartz Countertop
- DMB49 49" Quartz Backsplash
- DMB21 21 1/4" Quartz Sidesplash
- DCT49 49" Maddox Integral Sink
- DMM48 48" Mirror with Solid Wood Frame
- FK48 48" Kickplate Set
- FS Filler Strip

DOOR STYLE OPTIONS



SLAB PANEL (SL)



2" SHAKER PANEL (SH)

WOOD FINISH OPTIONS

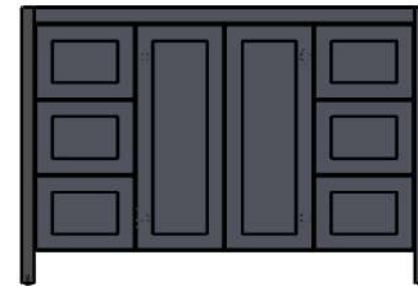
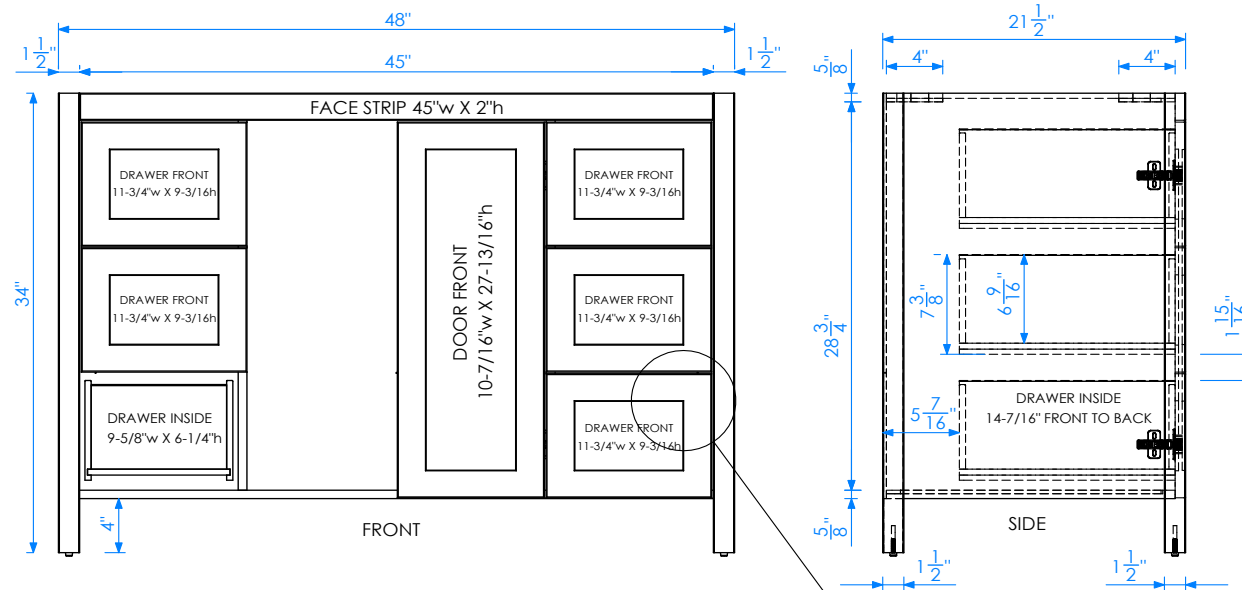
For full colour options visit www.dmbath.com

SPECIFICATION VARIANCE

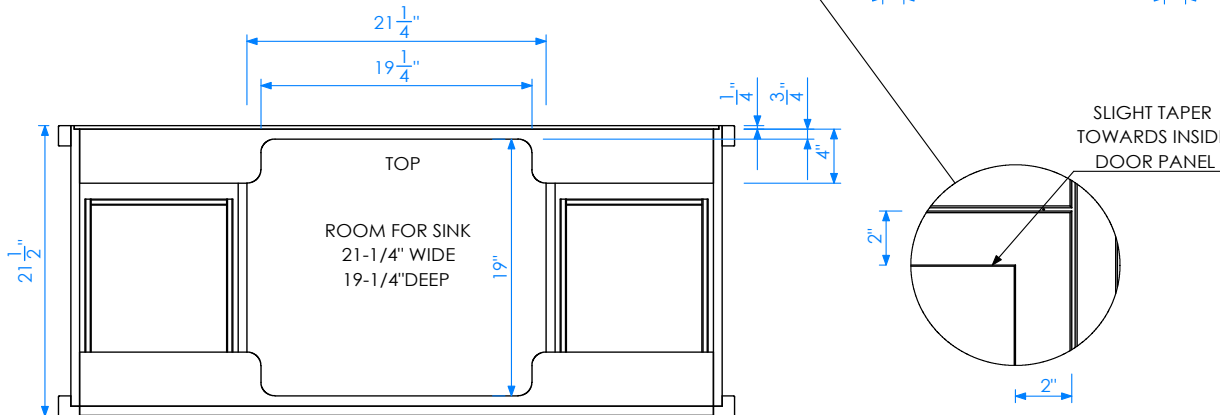
Our products are constructed to maintain close dimensional tolerances that may vary slightly during the manufacturing of materials; normally +/- 1/8", occasionally more. In most cases, this slight variation does not affect installation, appearance or function. We recommend that you measure the actual cabinet before you frame, design or finish the space for your vanity. We can not be held responsible by the end user if this guideline is not followed. We reserve the right to make revisions without prior notice to product specifications.



SPECIFICATION SHEET
48" FREESTANDING VANITY CABINET
 DMV4801



48" DM BATH VANITY
 48" WIDE
 34" TALL
 21-1/2" DEEP

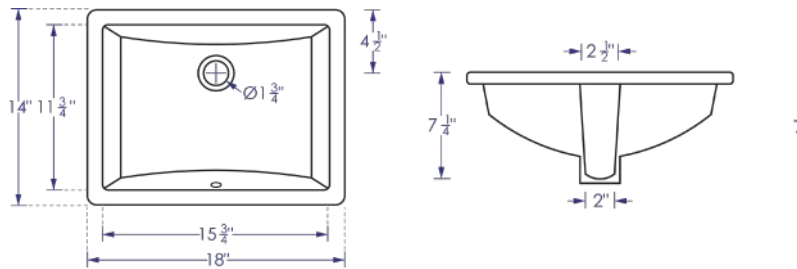
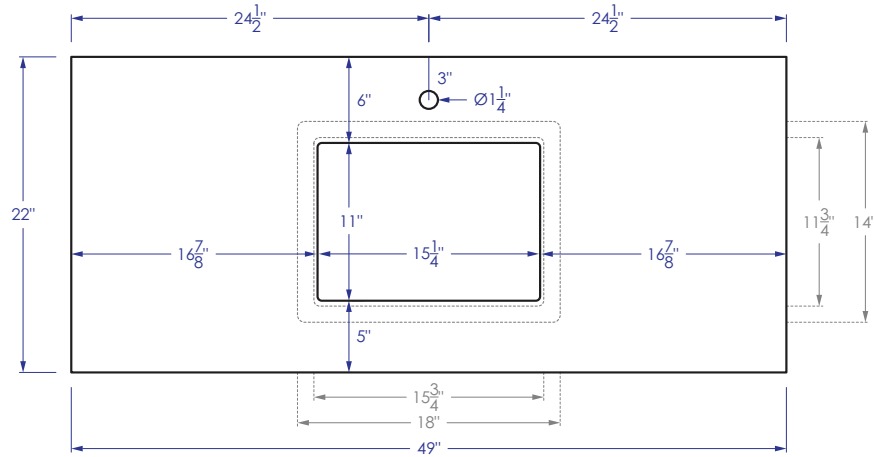


IMPORTANT NOTE
 Please install product according to installation instructions.

QUICK SPECIFICATION LOOKUP FREQUENTLY BOUGHT TOGETHER

49" QUARTZ COUNTERTOP DMT49 STANDARD / DMTP49 PREMIUM

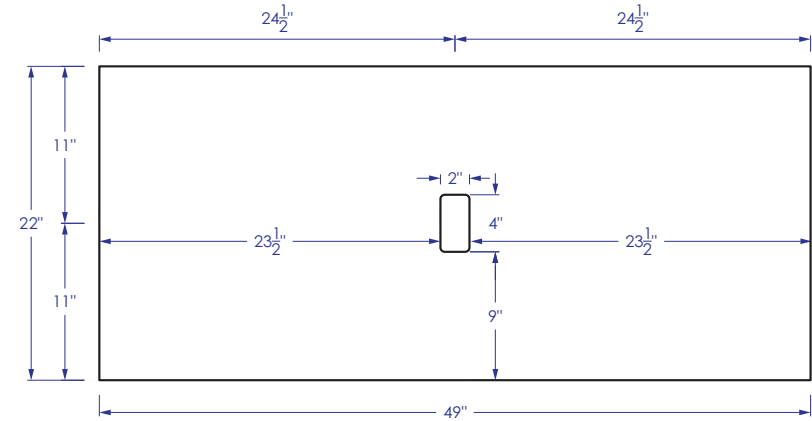
UNDERMOUNT SINK CUT
INCLUDES 18" OXFORD UNDERMOUNT SINK (DMS01W)



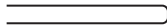

49" QUARTZ BACKSPLASH DMB49



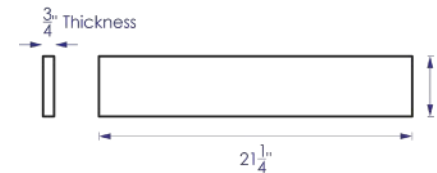
VESSEL SINK CUT
NO DRILL HOLE OR VESSEL SINK INCLUDED



SIDE PROFILE VIEW

-  **0.75" STANDARD; EASED EDGE PROFILE**
 -  **1.5" PREMIUM; CHOICE OF EDGE PROFILE**
- For Premium Edge Profile Options visit www.dmbath.com.

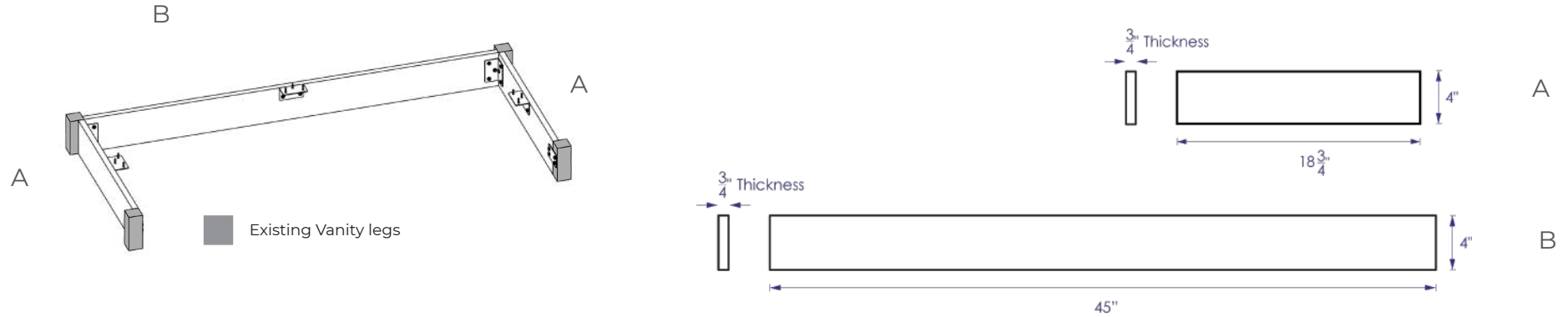
21.25" QUARTZ SIDESPLASH DMB21



QUICK SPECIFICATION LOOKUP FREQUENTLY BOUGHT TOGETHER

48" KICKPLATE SET FK48

Kickplate Set includes one front panel (B) and two side panels (A). Used to fill the gap between the floor and vanity, installed recessed to enable your feet to rest comfortably and allow you to get closer to the countertop.



FILLER STRIP FS

Filler Strip fills the gap between the side of your vanity cabinet and the wall. Fillers are normally cut to your required size by your professional installer.

