



SPECIFICATION SHEET

37" QUARTZ COUNTERTOP

DMT37 STANDARD / DMT37P PREMIUM

QUARTZ COUNTERTOP FEATURES

- High-performance quartz countertop fabricated in Canada.
- Non-porous, lustrous surface is low maintenance and requires no sealing; Heat, scratch and stain resistant.
- Available in 3/4" eased edge profile or 1 1/2" thickness with choice of edge-profile.
- Choose from undermount cut or vessel sink cut tops.
- Undermount sink cut countertop includes cUPC approved vitreous china undermount sink with overflow.
- Matching backsplash and sidesplash available.

QUARTZ COLOUR OPTIONS

For full colour options visit www.dmbath.com

DM BATH Two-Year Limited Warranty

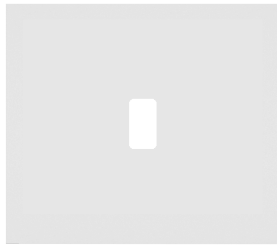
Warranty for residential use. For full details visit www.dmbath.com

COUNTERTOP SINK CUT OPTIONS



UNDERMOUNT SINK CUT

- Includes 18" Oxford Undermount Sink DMS01 (not pre-attached)
- Includes Single Faucet Hole



VESSEL SINK CUT

- Vessel Sink not included
- No Faucet Hole Cut
- Vessel Sink sold separately

EDGE PROFILE OPTIONS

STANDARD · 0.75" Thickness



PREMIUM · 1.5" Thickness



FAUCET DRILL OPTIONS



SPECIFICATION & COLOUR VARIANCE

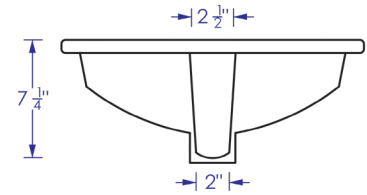
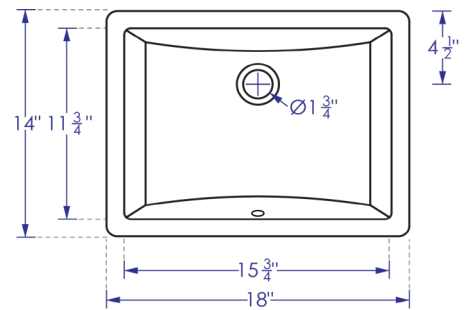
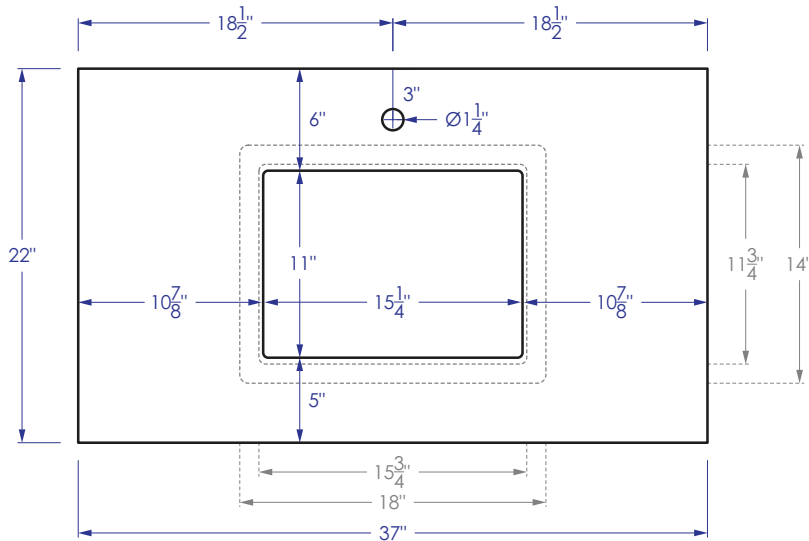
Our products are fabricated to maintain close dimensional tolerances that may vary slightly; normally +/-1/8", occasionally more. In most cases, this slight variation does not affect installation or function. We recommend that you measure your actual product when it arrives before you rough-in cabinetry or plumbing. We can not be held responsible by the end user if this guideline is not followed. We reserve the right to make revisions without prior notice to specifications.

Variations in quartz veining, blemishes, markings or any inconsistencies in the colour are considered naturally occurring variations which are not within our control nor considered a reflection of quality or defects under the warranty. Please feel free to email us with any questions or comments.

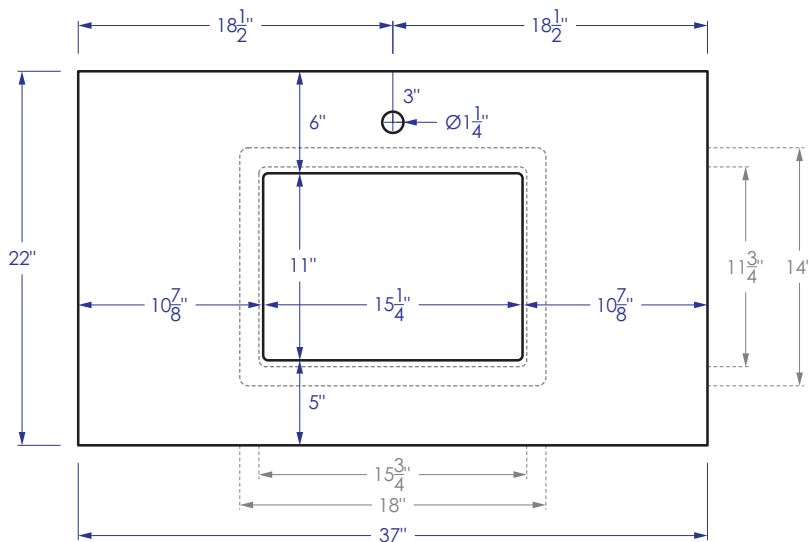


SPECIFICATION SHEET
37" QUARTZ COUNTERTOP
DMT37 STANDARD / DMT37P PREMIUM

37" UNDERMOUNT COUNTERTOP WITH OXFORD UNDERMOUNT SINK (DMS01W)
DMT37-01 STANDARD / DMT37P-01 PREMIUM



37" VESSEL SINK CUT QUARTZ COUNTERTOP
DMT37-11 STANDARD / DMT37P-11 PREMIUM



SIDE PROFILE VIEW

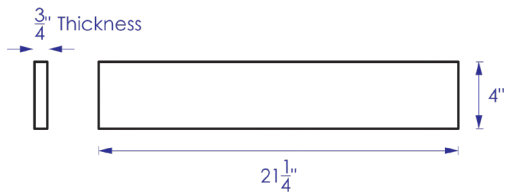


QUICK SPECIFICATION LOOKUP FREQUENTLY BOUGHT TOGETHER

RELATED PRODUCTS (Sold Separately)

- DMV3601 36" Freestanding Vanity Cabinet
- DMV3602 36" Floating Vanity Cabinet
- DMB37 37" Quartz Backsplash
- DMB21 21 1/4" Quartz Sidesplash

DMB21 21.25" QUARTZ SIDESPLASH



DMB37 37" QUARTZ BACKSPLASH

