



SPECIFICATION SHEET 12" CENTER TOWER DMCT12



VANITY FEATURES

- Designed & Made in Canada
- Premium Select Canadian Maple & Birch Solid Wood and Plywood
- BLUM® European style six-way soft close 110-degree door hinge.
- Match finished interior shelf compartment and back panel
- Handles sold separately and not pre-drilled for design convenience
- 1 Door, 2 Adjustable Shelf

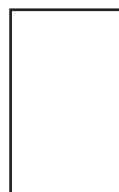
DM BATH 2-YEAR LIMITED WARRANTY

For warranty details visit www.dmbath.com

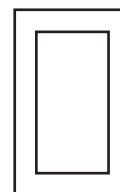
RELATED PRODUCTS Sold Separately

DMLT72 72" Freestanding Linen Tower
DMV2401-7201 24", 30", 36", 48", 60"SS, 60"DS, 72"DS Freestanding Vanity
DMV2402-3602 24", 30", 36" Floating Vanity

DOOR STYLE OPTIONS



SLAB
PANEL (SL)



2" SHAKER
PANEL (SH)

WOOD FINISH OPTIONS

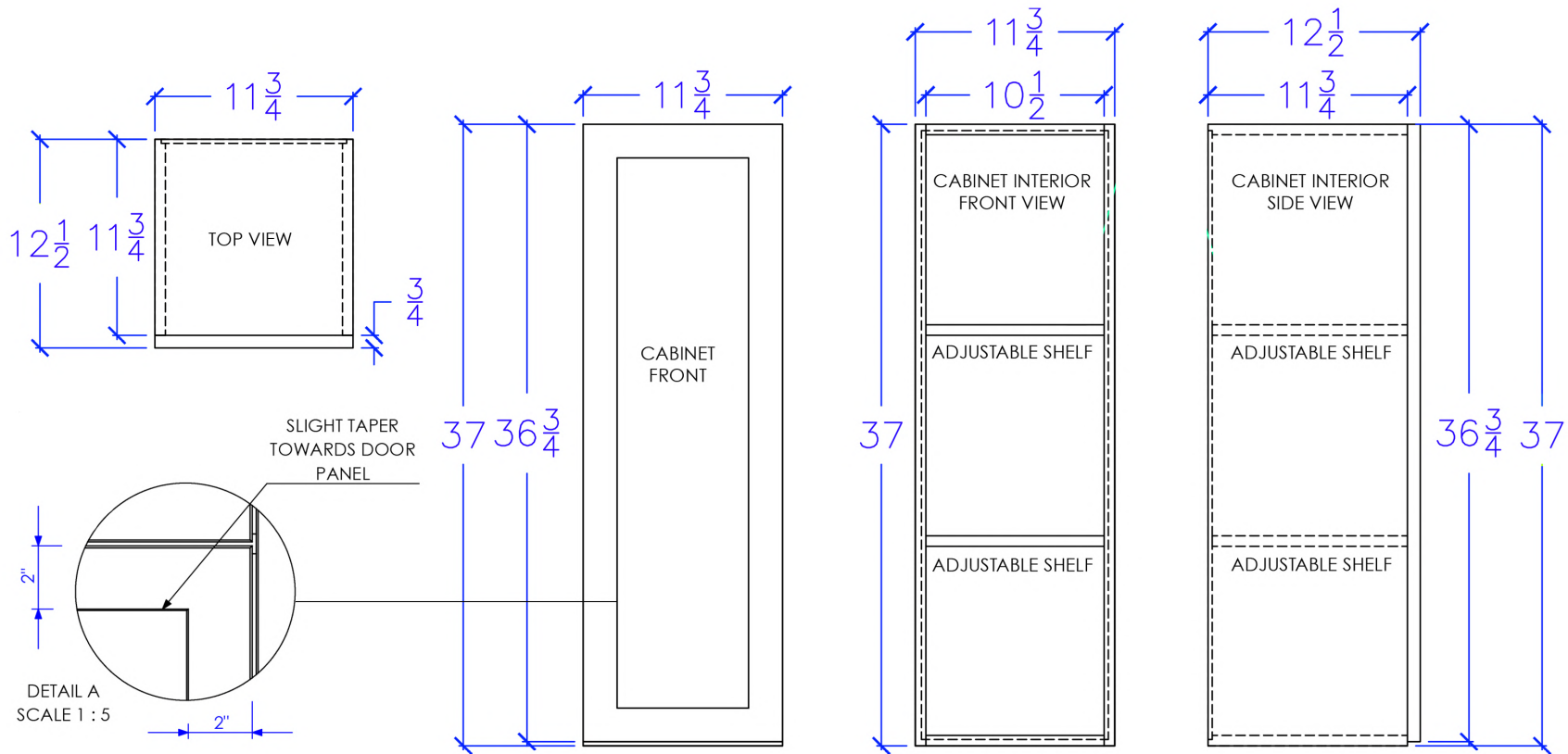
For full colour options visit www.dmbath.com

SPECIFICATION VARIANCE

Our products are constructed to maintain close dimensional tolerances that may vary slightly during the manufacturing of materials; normally +/- 1/8", occasionally more. In most cases, this slight variation does not affect installation, appearance or function. We recommend that you measure the actual cabinet before you frame, design or finish the space for your vanity. We can not be held responsible by the end user if this guideline is not followed. We reserve the right to make revisions without prior notice to product specifications.



SPECIFICATION SHEET
12" CENTER TOWER
DMCT12



IMPORTANT NOTE

Please install product according to installation instructions.